



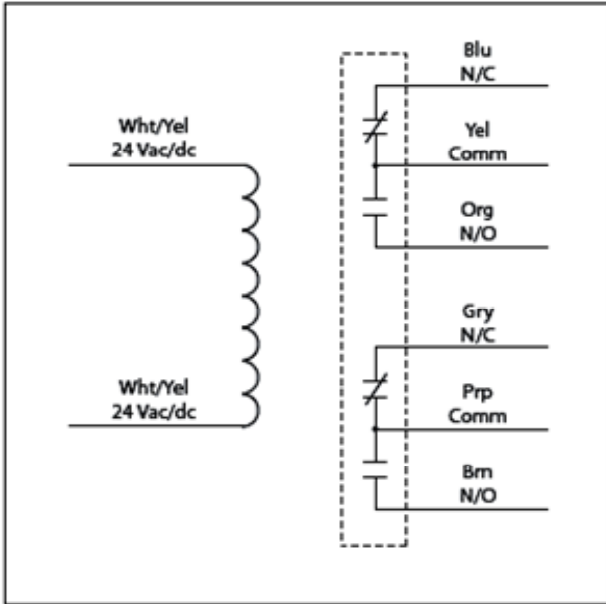
ENERJOY RADIANT PEOPLEHEATER®

TSSHHC-R-30A-24V

MAXIMUM COMFORT AND CONTROL IN HEATING

TSSHHC-R-30A-24V

Enclosed Relay 30 Amp DPDT with 24 Vac/dc Coil



Specifications

Relays & Contact Type: One (1) DPDT Continuous Duty Coil
 Expected Relay Life: 10 million cycles minimum mechanical
 Operating Temperature: -30 to 140° F
 Humidity Range: 5 to 95% (noncondensing)
 Operate Time: 18ms
 Relay Status: LED On = Activated
 Dimensions: 2.30" x 3.20" x 1.80"
 with .75" NPT Nipple
 Wires: 16", 600V Rated
 Approvals: UL Listed, UL916, UL864, UL508, C-UL
 California State Fire Marshal, CE, RoHS
 Housing Rating: UL Accepted for Use in Plenum, NEMA 1
 Gold Flash: Yes
 Override Switch: No

Contact Ratings:
 30 Amp Resistive @ 300 Vac
 25 Amp Resistive @ 28 Vdc
 20 Amp Ballast @ 277-480 Vac
 Not rated for Electronic Ballast
 15 Amp Resistive @ 600 Vac
 770 VA Pilot Duty @ 120 Vac
 1158 VA Pilot Duty @ 240 Vac
 1110 VA Pilot Duty @ 277 Vac
 1640 VA Pilot Duty @ 480 Vac
 Heavy Pilot Duty @ 600 Vac
 3 HP @ 480-600 Vac
 2 HP @ 240-277 Vac
 1 HP @ 120 Vac

Coil Current:
 110 mA @ 20 Vac
 138 mA @ 24 Vac
 55 mA @ 20 Vdc
 55 mA @ 24 Vdc
 77 mA @ 30 Vdc

Coil Voltage Input:
 24 Vac/dc ; 50-60 Hz Drop
 Out = 3 Vac / 3.8 Vdc
 Pull In = 20 Vac / 20 Vdc