



ENERJOY RADIANT PEOPLEHEATER®

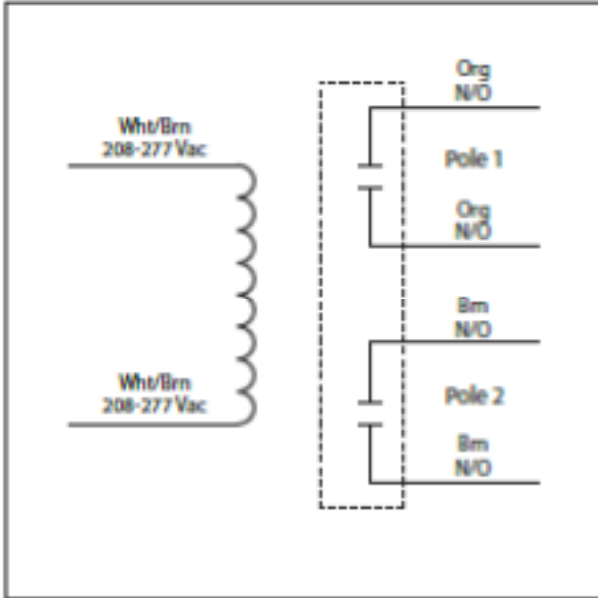
# TSSHC-R-30A-208-277V

MAXIMUM COMFORT AND CONTROL IN HEATING

## TSSHC-R-30A-208-277V

Enclosed Relay 30 Amp DPST-N/O with 208-277 Vac Coil

## 30 Amp Power Control Relay



## Specifications

<b># Relays &amp; Contact Type:</b>	One (1) DPST Continuous Duty Coil	<b>Contact Ratings:</b>	<b>Coil Current:</b>	<b>Coil Voltage Input:</b>
<b>Expected Relay Life:</b>	10 million cycles minimum mechanical	30 Amp Resistive @ 300 Vac	105 mA @ 208-277 Vac	208-277 Vac ; 50-60 Hz
<b>Operating Temperature:</b>	-30 to 140° F	25 Amp Resistive @ 28 Vdc		Drop Out = 60 Vac
<b>Humidity Range:</b>	5 to 95% (noncondensing)	20 Amp Ballast @ 277-480 Vac		Pull In = 160 Vac
<b>Operate Time:</b>	18mS	<i>Not rated for Electronic Ballast</i>		
<b>Relay Status:</b>	LED On = Activated	15 Amp Resistive @ 600 Vac		
<b>Dimensions:</b>	4.00" x 4.00" x 1.80" with .50" NPT Nipple	770 VA Pilot Duty @ 120 Vac		
<b>Wires:</b>	16", 600V Rated	1158 VA Pilot Duty @ 240 Vac		
<b>Approvals:</b>	UL Listed, UL916, UL864, C-UL California State Fire Marshal, CE, RoHS	1110 VA Pilot Duty @ 277 Vac		
<b>Housing Rating:</b>	UL Accepted for Use in Plenum, NEMA 1	1640 VA Pilot Duty @ 480 Vac		
<b>Gold Flash:</b>	Yes	Heavy Pilot Duty @ 600 Vac		
<b>Override Switch:</b>	No	3 HP @ 480-600 Vac		
		2 HP @ 240-277 Vac		
		1 HP @ 120 Vac		

- Notes:**
- Order Both Poles Normally Closed by adding "-NC" to end of model number
  - Order Pole 1 Normally Open and Pole 2 Normally Closed by adding "-NONC" to end of model number